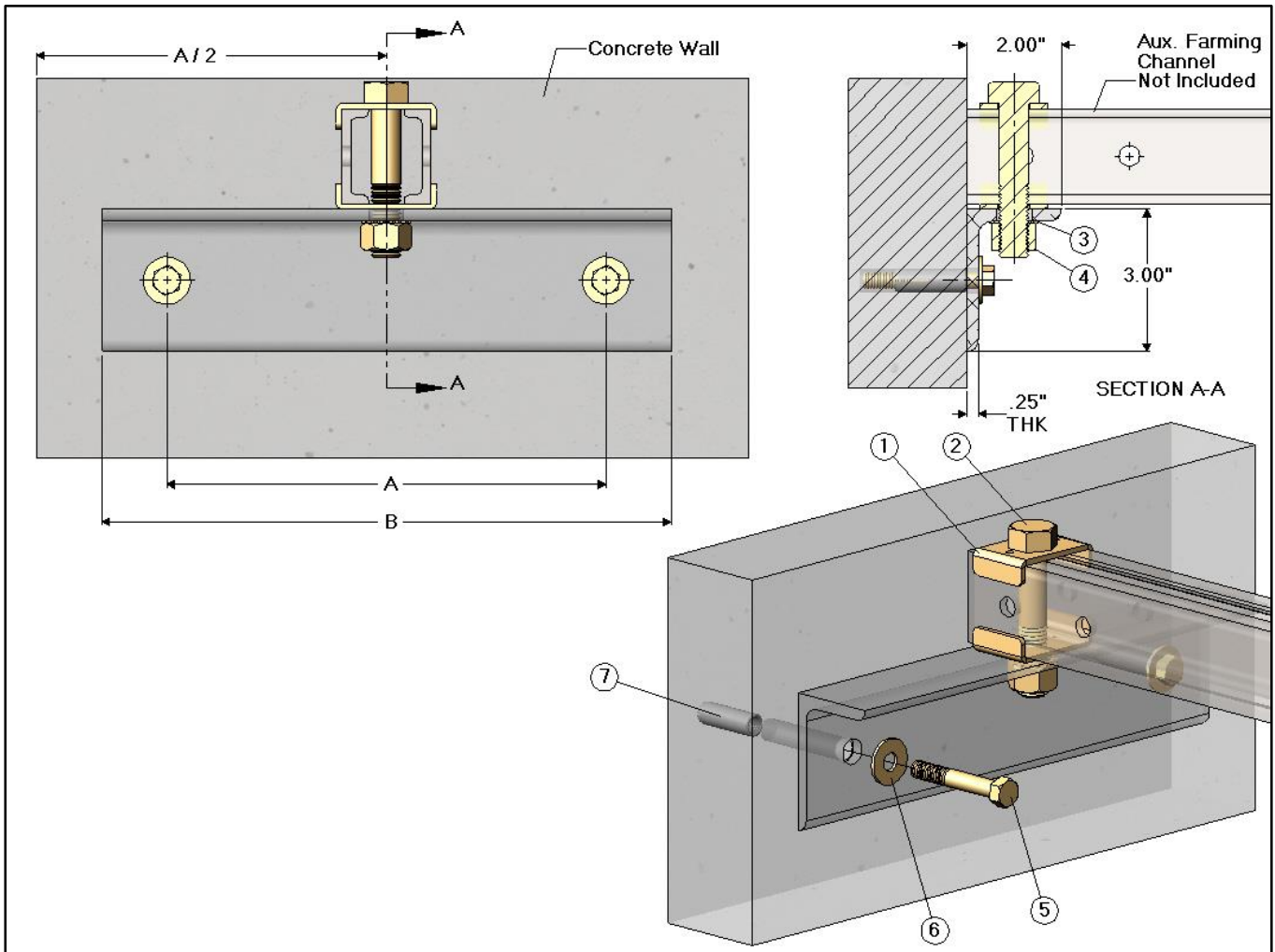




FSxxDGK01 Series - Frame Support Angle to Wall Kit



FSxxDGK01 Series Frame Support Angle to Wall Kit		
CSF P/N#	A	B
FS06DGK01	6.00"	3.25
FS12DGK01	12.00"	9.25"
FS18DGK01	18.00"	15.25"

Hardware Kit			
Item	CSF P/N#	Description	QTY
1	FC316	Framing Clip	2
2	HH1210	5/8-11 HHCS x 3.25" Length	1
3	LWE158	5/8" External Tooth Lock Washer	1
4	HN148	5/8-11 Hex Nut	1
5	HH1011	3/8-16 HHCS x 2.50" Length	2
6	FW166	3/8 Flat Washer	2
7	DIA37	3/8-16 x 1.62" Length Drop In Anchor	2

- Notes:
- FSxxDGK01 can be assemble using Aux. Framing Channel or Aux. Framing Bar.
 - Cable Rack - Not Included
 - Aux. Framing Channel - Not Included
 - Angle Finish: DG

Specifications subject to change. Please contact CSF Customer Service for more information.